



MODEL: **A6500P**

**THERMAXX** ADVANTAGE

THE ADVANTAGE IS TO YOUR BOTTOM LINE

Temperature Capacity  
**-20°C**

Cubic Capacity  
**33.5 m<sup>3</sup>**

**BODY DIMENSION**

External length	6500mm
External width	2490mm
External height	2400mm
Internal length	6320mm
Internal width	2410mm
Internal height	2200mm
Pallet loading	10 Pallet capacity

**Fitted body weight \*2405kg**

**PANELS THICKNESS**

Roof/floor	100mm
Front wall	100mm
Side walls/side doors	40mm
Rear doors	80mm

Side door	Passenger side pallet door 2200 x 1400mm
Rear door	Double - (left opens first)
Front wall frame	Universal to suit diesel drive units
Side step	Fixed rung step
Rear step	Flush crash bar
Cargo track	1 recessed row @ 1000mm 1 shoring bar
Floor	One piece aluminium ricegrain
Internal light	2 LED sensor light
Refrigeration	Thermo King T-1000R

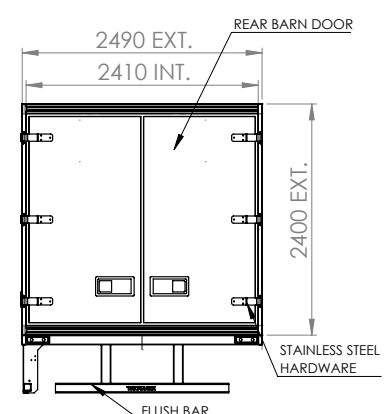
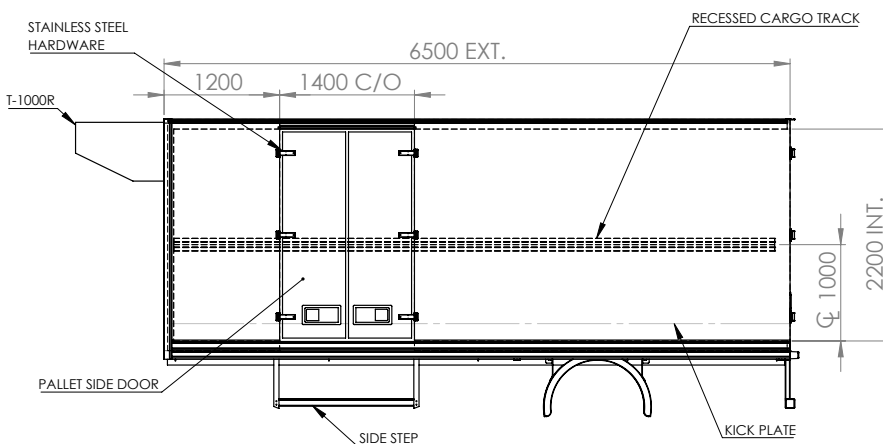


Thermal efficiency 'K' VALUE .59 W/m<sup>2</sup>K tested to Australian Standard AS4982

**Standard Features**

**Model No: A6500P - BDEHI**

- High density polyurethane insulation
- European design
- European construction
- Low tare weight
- Higher legal payload
- Steel sub frame
- Recessed stainless door hardware
- Stainless door frames
- Anodised corner mouldings
- Long life EPDM rubber seals
- Internal LED sensor lights
- Rubber bump stops
- Rear/side grab handles
- Recessed load restraint track
- Moulded plastic mud guards
- Alloy kick panel
- Options available to suit customer requirements



TRS/Thermaxx mission is one of continuous improvement, we reserve the right to change without notice or obligation to modify the technical specifications and aesthetic characteristics of the Thermaxx product. Please note: TRS/Thermaxx provides the information contained herein in good faith and changes may have been made to the product since this brochure went to print (01.12.2017). \*Fitted body weight is an approximate weight based on the standard products supplied. Note: final weight may vary based on the type of cab chassis used, and or extra body equipment added.