



MODEL: **A9050P**

THERMAXX ADVANTAGE

THE ADVANTAGE IS TO YOUR BOTTOM LINE

Temperature Capacity
-20°C

Cubic Capacity
54.69m³

BODY DIMENSION

External length	9050mm
External width	2490mm
External height	2650mm
Internal length	8835mm
Internal width	2410mm
Internal height	2450mm
Pallet loading	14 Pallet capacity

Fitted body weight *4270kg

PANELS THICKNESS

Roof/floor	100mm
Front wall	100mm
Side walls	40mm

Side door	N/A
Rear door	65mm freezer rated roller shutter door with galvanised frame
Front wall frame	Universal to suit diesel drive units
Side step	N/A
Rear step	Heavy duty crash bar
Cargo track	2 recessed row @ 800-1400mm 2 shoring bars
Floor	One piece aluminium ricegrain
Internal light	4 LED sensor light
Refrigeration	Thermo King T-1200R

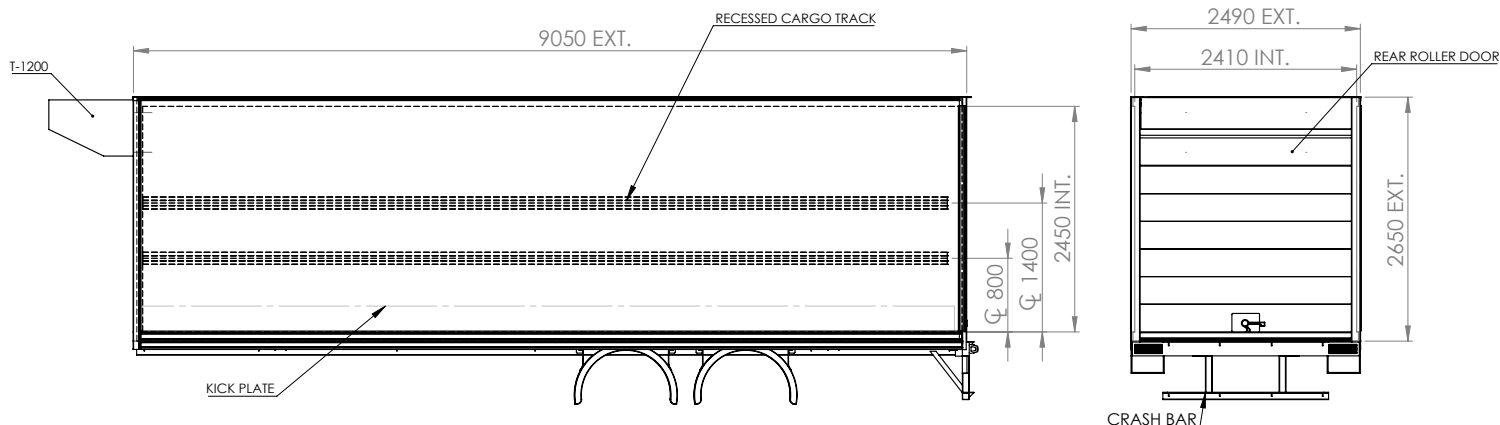


Thermal efficiency 'K' VALUE .57 W/m²K tested to Australian Standard AS4982

Standard Features

Model No: A9050P-EHO

- High density polyurethane insulation
- European design
- European construction
- Low tare weight
- Higher legal payload
- Steel sub frame
- Anodised corner mouldings
- Long life EPDM rubber seals on roller door
- Internal LED sensor lights
- Rubber bump stops
- Rear/side grab handles
- Recessed load restraint track
- Moulded plastic mud guards
- Alloy kick panel
- Options available to suit customer requirements
- Heavy duty galvanised rear door frame



TRS/Thermaxx mission is one of continuous improvement, we reserve the right to change without notice or obligation to modify the technical specifications and aesthetic characteristics of the Thermaxx product. Please note: TRS/Thermaxx provides the information contained herein in good faith and changes may have been made to the product since this brochure went to print (01.12.2017). *Fitted body weight is an approximate weight based on the standard products supplied. Note: final weight may vary based on the type of cab chassis used, and/or extra body equipment added.