



MODEL: **CMX-IMP-L-4200**

**THERMAXX** LOADMAXX

THE ADVANTAGE IS TO YOUR BOTTOM LINE

Cubic Capacity  
**17.85m<sup>3</sup>**

**BODY DIMENSION**

External length	4200mm
External width	2200mm
Internal height	2000mm
Pallet loading	3 pallet capacity

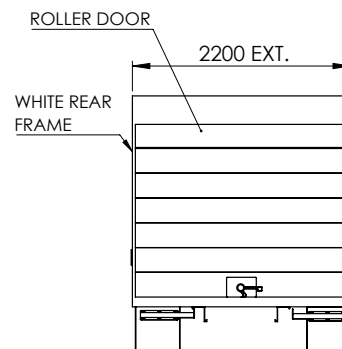
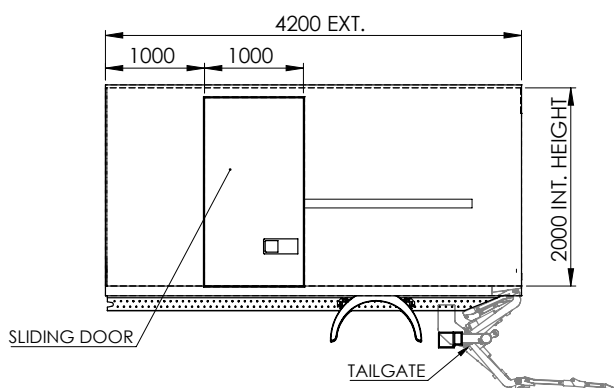
**Approx body weight 1056kg**

**PANEL THICKNESS**

Roof	Sandwich 30mm
Front/side walls	Sandwich 30mm

<b>Floor</b>	Anti skid Polyester 'Barley Corn' floor (one piece) colour grey 18mm
<b>Rear frame</b>	Galvanised steel of 2.5mm, painted white with end plate of 4mm (special for Anteo Tail-Lift)
<b>Rear door</b>	Wooden roller shutter door
<b>Side step</b>	Fixed rung step
<b>Sub frame</b>	Subframe - longitudinal mild steel runners beams and crossmembers

**Note:** All bodies that require a chassis extension to comply with RMS will be an additional charge based on chassis type, cost and engineer certification



TRS/Thermaxx mission is one of continuous improvement, we reserve the right to change without notice or obligation to modify the technical specifications and aesthetic characteristics of the Thermaxx product. Please note: TRS/Thermaxx provides the information contained herein in good faith and changes may have been made to the product since this brochure went to print (21.05.2018). \*Fitted body weight is an approximate weight based on the standard products supplied. Note: final weight may vary based on the type of cab chassis used, and or extra body equipment added.