



MODEL: **A3000MN - METRO 2**

THERMAXX ADVANTAGE

THE ADVANTAGE IS TO YOUR BOTTOM LINE

Temperature Capacity
-20°C*

Cubic Capacity
9.84m³

BODY DIMENSION

External length	3000mm
External width	2100mm
External height	1950mm
Internal length	2840mm
Internal width	1980mm
Internal height	1750mm
Pallet loading	2 Pallet capacity

Fitted body weight *790kg

PANELS THICKNESS

Roof/floor	100mm
Front wall/rear doors	80mm
Side walls	60mm

Side door	Passenger side single door 1750 x 800mm
Rear door	Triple - (centre opens first)
Front wall frame	Universal to suit off engine drive units
Side step	Fixed rung step
Rear step	Fixed plank step
Cargo track	1 recessed row @ 750mm 1 shoring bar
Floor	One piece aluminium ricegrain
Internal light	1 LED sensor light
Refrigeration	*Thermo King SV-400

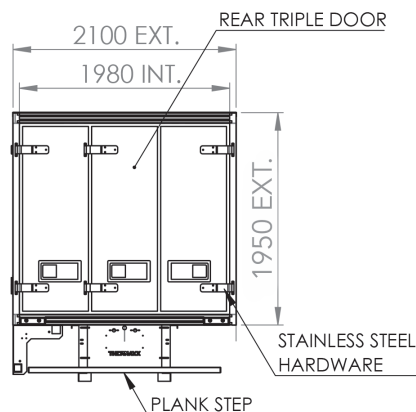
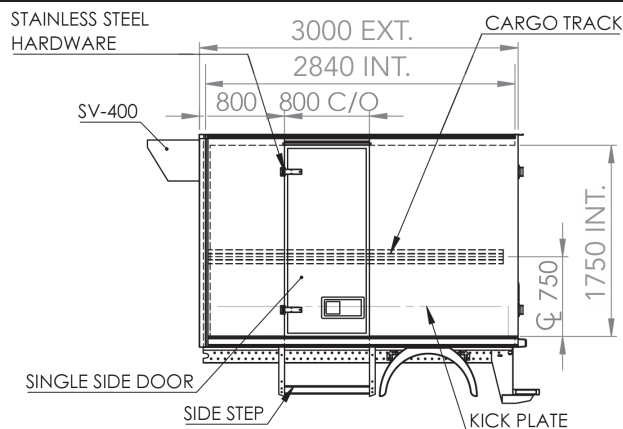


Thermal efficiency 'K' VALUE .47 W/m²K tested to Australian Standard AS4982

Standard Inclusions

Model No: A3000MN - ACEHI - METRO 2

- High density polyurethane insulation
- European design
- European construction
- Low tare weight
- Higher legal payload
- Galvanised sub frame
- Recessed stainless door hardware
- Stainless door frames
- Anodised corner mouldings
- Long life EPDM rubber seals
- Internal LED sensor light
- Rubber bump stops
- Rear/side grab handles
- Recessed load restraint with bar supplied
- Moulded plastic mud guards
- Alloy kick panel
- Options available to suit customer requirements



TRS/Thermaxx mission is one of continuous improvement, we reserve the right to change without notice or obligation to modify the technical specifications and aesthetic characteristics of the Thermaxx product. Please note: TRS/Thermaxx provides the information contained herein in good faith and changes may have been made to the product since this brochure went to print (01.3.2023). *Fitted body weight is an approximate weight based on the standard products supplied. Note: final weight may vary based on the type of cab chassis used, and/or extra body equipment added. The 4-year warranty is for the Thermaxx Advantage products only. *^o-20°C is based on an average ambient temperature. Note this can fluctuate depending on the region travelling and time of year - also the amount of door opening per day.