



MODEL: A4060MN METRO 3

THERMAXX ADVANTAGE

THE ADVANTAGE IS TO YOUR BOTTOM LINE

Temperature Capacity
-20°C*

Cubic Capacity
13.5 m³

BODY DIMENSION

External length	4060mm
External width	2100mm
External height	1950mm
Internal length	3900mm
Internal width	1980mm
Internal height	1750mm
Pallet loading	3 Pallet capacity

Fitted body weight *1177kg

PANELS THICKNESS

Roof/floor	100mm
Front wall/rear doors	80mm
Side walls	60mm

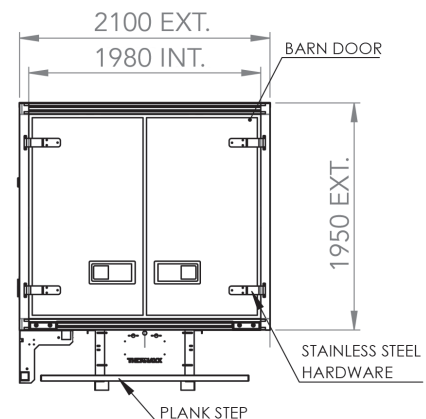
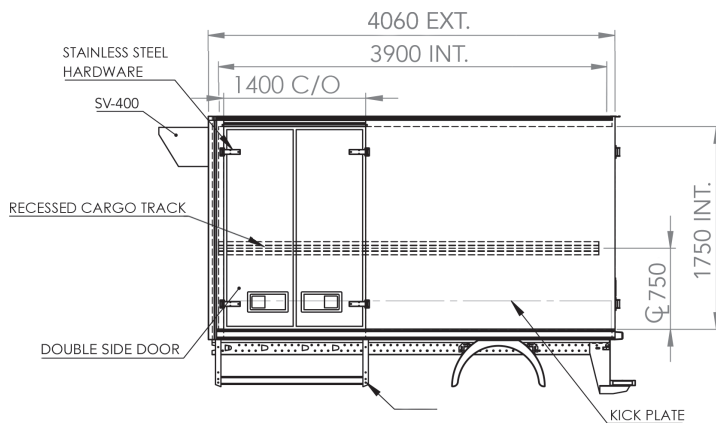
Side door	Passenger side pallet door 1750 x 1400mm
Rear door	Double - (left opens first)
Front wall frame	Universal to suit off engine or diesel drive units
Side step	Fixed rung step
Rear step	Fixed plank step
Cargo track	1 recessed row @ 750mm 1 shoring bar
Floor	One piece aluminium ricegrain
Internal light	1 LED sensor light
Refrigeration	*Thermo King SV-400



Thermal efficiency 'K' VALUE .57 W/m²K tested to Australian Standard AS4982

Standard Inclusions Model No: METRO A4060MN-BDEHI METRO 3

- High density polyurethane insulation
- European design
- European construction
- Low tare weight
- Higher legal payload
- Galvanised sub frame
- Recessed stainless door hardware
- Stainless door frames
- Anodised corner mouldings
- Long life EPDM rubber seals
- Internal LED sensor lights
- Rubber bump stops
- Rear/side grab handles
- Recessed load restraint track
- Moulded plastic mud guards
- Alloy kick panel
- Options available to suit customer requirements



TRS/Thermaxx mission is one of continuous improvement, we reserve the right to change without notice or obligation to modify the technical specifications and aesthetic characteristics of the Thermaxx product. Please note: TRS/Thermaxx provides the information contained herein in good faith and changes may have been made to the product since this brochure went to print (01.3.2023). *Fitted body weight is an approximate weight based on the standard products supplied. Note: final weight may vary based on the type of cab chassis used, and or extra body equipment added. The 4-year warranty is for the Thermaxx Advantage products only. *²⁰C is based on an average ambient temperature. Note this can fluctuate depending on the region travelling and time of year - also the amount of door opening per day.